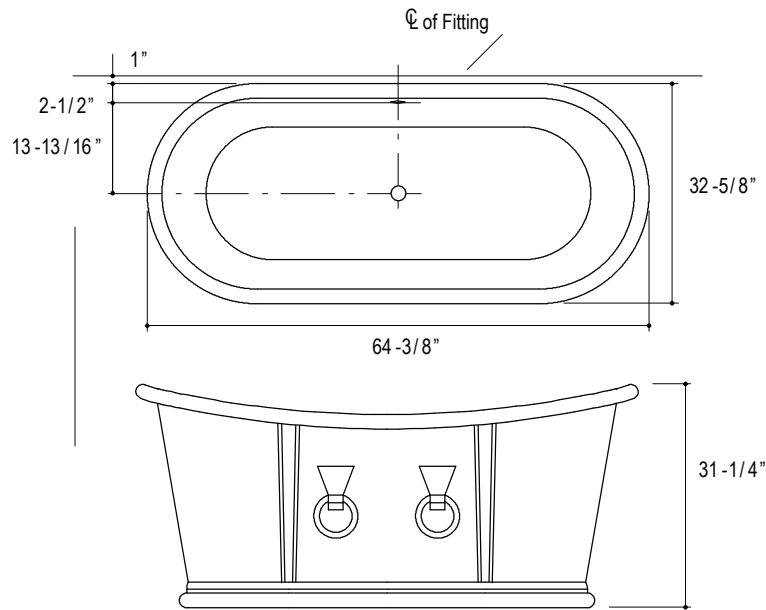


FEATURES

P50011

- Good Conductor of Heat
- Hand Crafted
- Solid Copper



PRODUCT INFORMATION			
Fixture *:	Basin Area	Top Area	Weight
Bathing Well	58" x 19"	65" x 31"	154 lbs.
	Water Depth	Capacity	
To Overflow	21"	71 Gal.	
Outside Treated Only			
Gauge 12/10			
*Approximate Measurements for Comparison Only			

ROUGHING-IN NOTES
All Dimensions are Nominal.
No Front Panel Opening.

SPECIFIED MODEL		
Model	Description	Finishes
P50011-00	Archeo Copper Bath Tub	<input type="checkbox"/> AL Copper
P21799-00	Waste & Overflow	<input type="checkbox"/> AL Copper

We reserve the right to make revisions without notice in the design of products or in packaging unless this right has specifically been waived at the time the order is accepted.